

SPD USB SERVICE/FLASH CABLE

USB Service Cable :

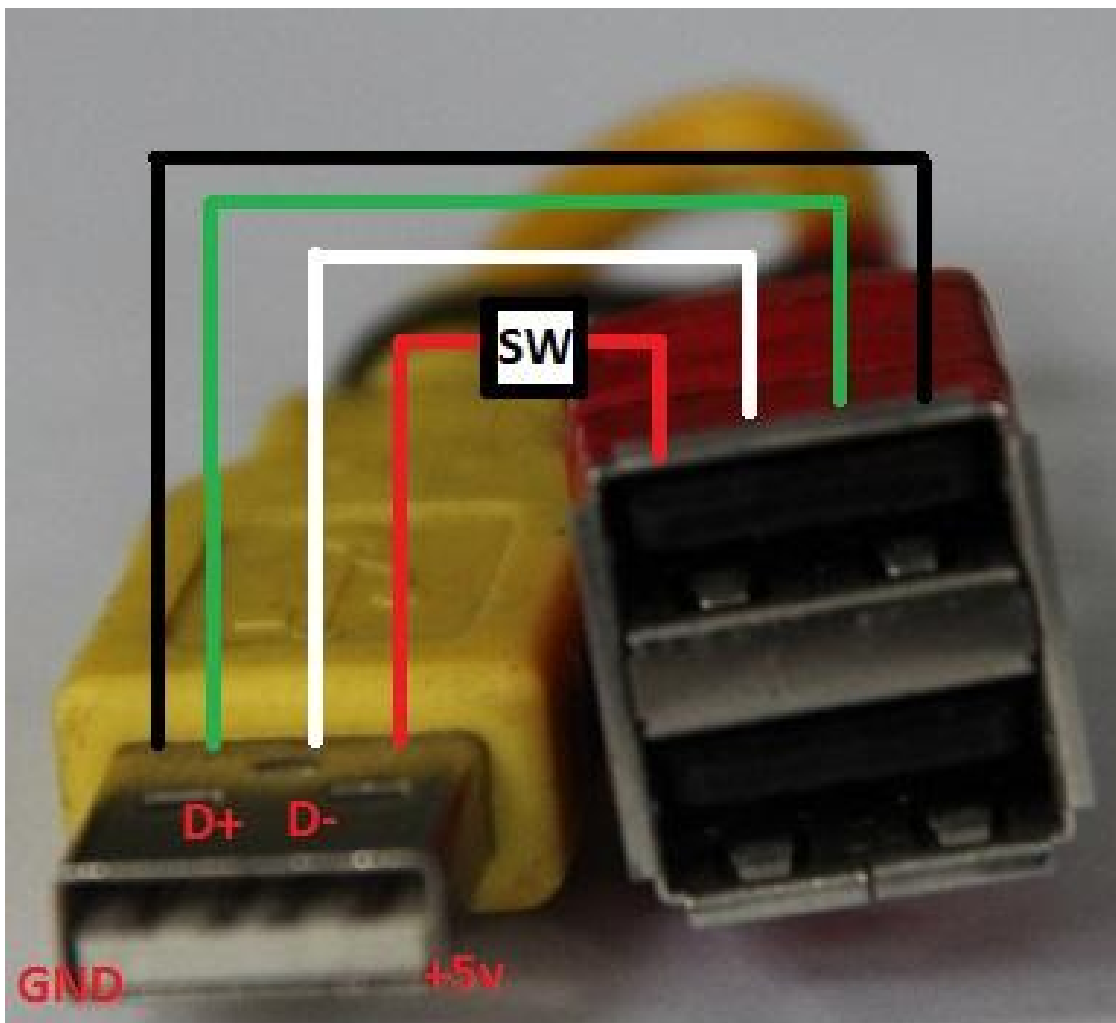
Cable for service operations (e.x. – Repair IMEI/Security) – just ordinary USB cable without **+5V (Vcc)** pin.

On picture is example of adapter, which not require cable modify. You can use it with any USB cable (**MicroUSB** , **MiniUSB** or **phone non-standard cable**)



SPD Service Cable

Simple wire scheme :



SW – any 2 position switch – **On/Off**.

- **On** – Vcc wire connected, normal USB
- **Off** – Vcc wire disconnected, service mode USB

Can be used any old USB cable and any USB A-port (old motherboard A-port on reference picture)

Cable must be short (5-7 inch)

SPD Service Cable

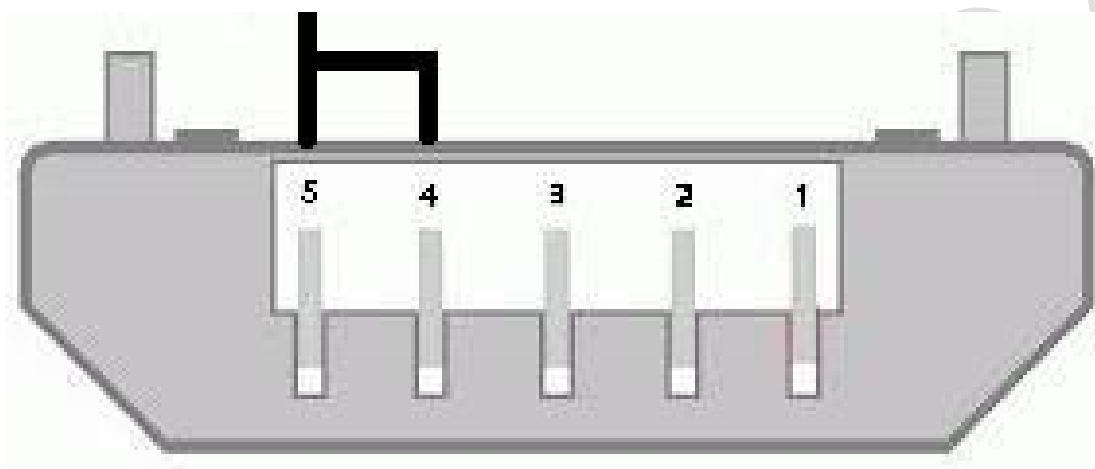
USB Flash Cable :

USB flash cable doesn't require hold and play with "**BootKey**".

Just insert cable, battery and phone will be in boot mode.

Cable require modify (from original USB cable) to flash cable by shorting "**ID**" pin to "**Ground**" pin ("**Attach presence mode**")

MicroUSB :



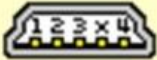
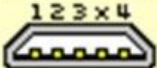
USB 1.x/2.0 Micro USB Pinout

Pin	Name	Color	Description
1	VCC	Red	+5 V
2	D-	White	Data -
3	D+	Green	Data +
4	ID	none	permits distinction of Micro-A- and Micro-B-Plug Type A: connected to Ground Type B: not connected
5	GND	Black	Signal Ground

Also in market can be found already cable with this modification (Type A)

SPD Service Cable

MiniUSB :

		miniUSB connector			
		Pin	Name	Cable color	Description
	MINI-B	1	VCC	Red	+5 VDC
	MINI-A	2	D-	White	Data -
		3	D+	Green	Data +
		X	ID		May be N/C, GND or used as an attached device presence indicator (tied to GND with resistor)
		4	GND	Black	Ground

Short pin **X** with pin **4**.